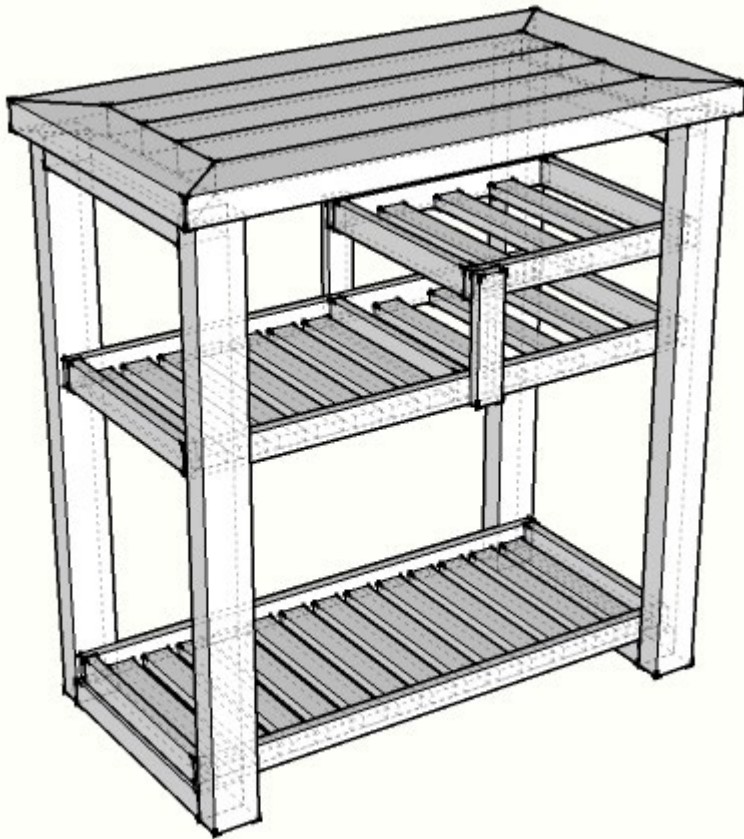
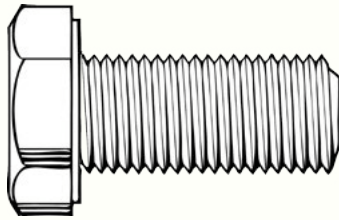


Herb's

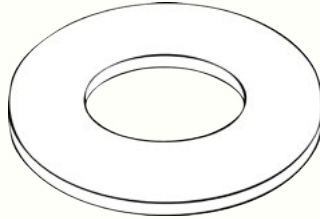
HOME FURNISHINGS CO.



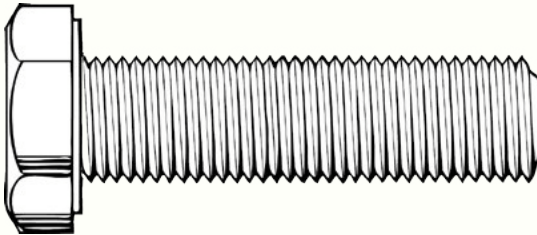
BAR CART



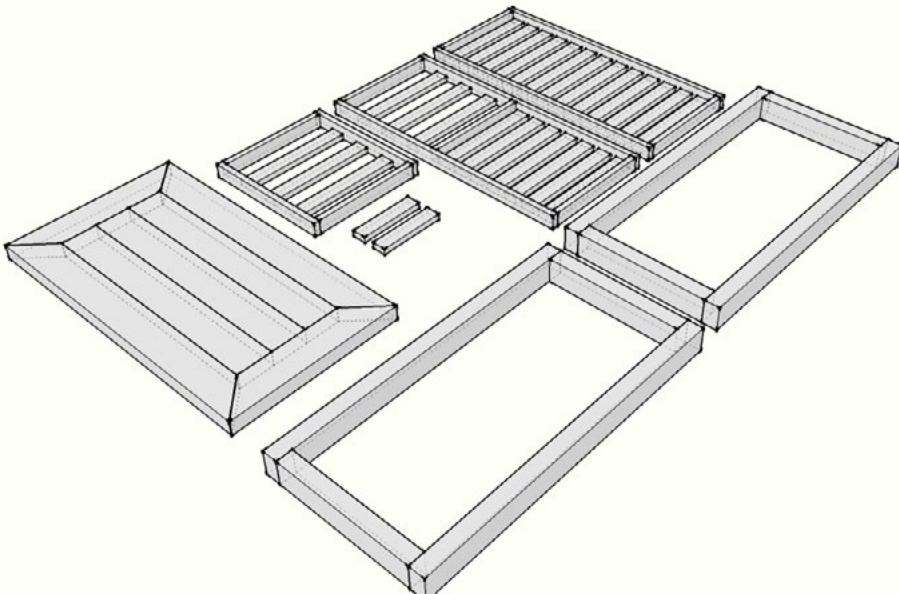
x4

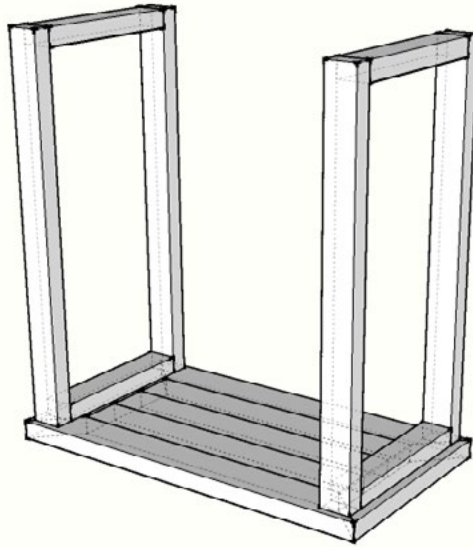


x4

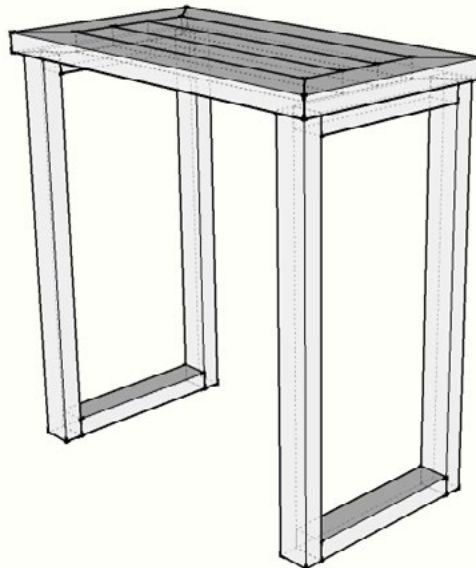


x14

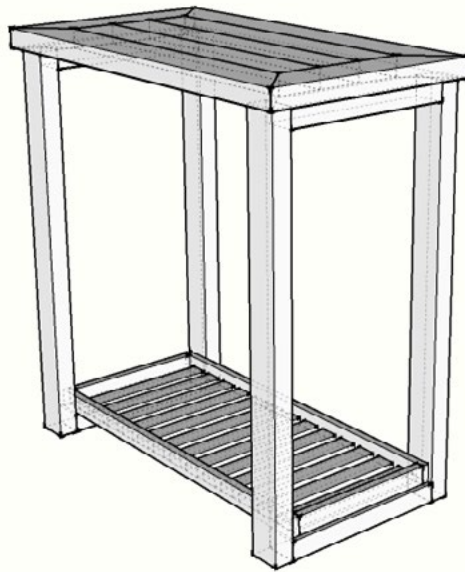




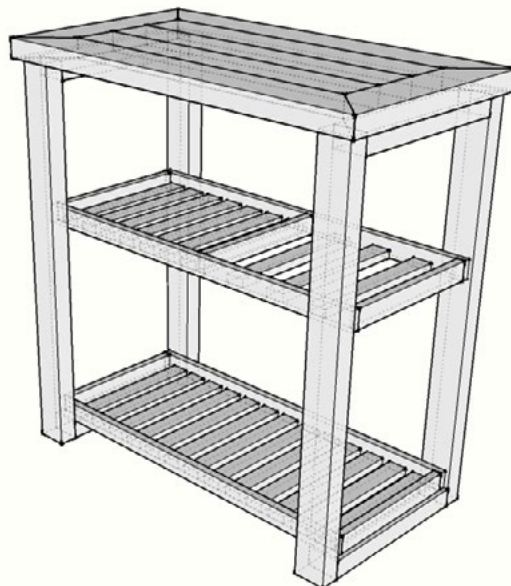
Place legs matching stickers on each top. Place large bolt through holes and into the insert nut with washer in between nut head and wood. Tighten but do not overtighten the bolts.



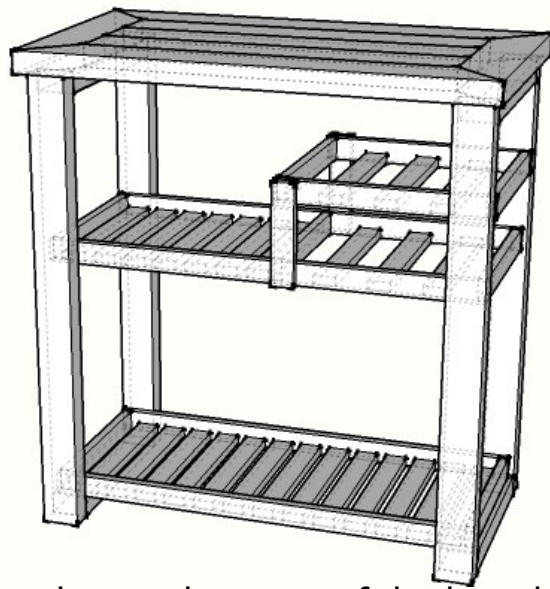
Flip cart right side up



Place bottom shelf in between legs and insert large bolt in each of the four holes connecting each of the legs to the shelf. Tighten but do not over tighten all bolts



Place Middle shelf between legs and insert large bolt in each of the four holes connecting each of the legs to the shelf. Make sure wine bottle rack is placed on the side with the remaining open holes for the next shelf.



Place final wine glass rack on top of the last shelf, with the small bolt connecting the middle pieces and the large bolt connecting the leg to the shelf. After this step is completed, flip the cart back over and screw in the casters into the leg of the cart.