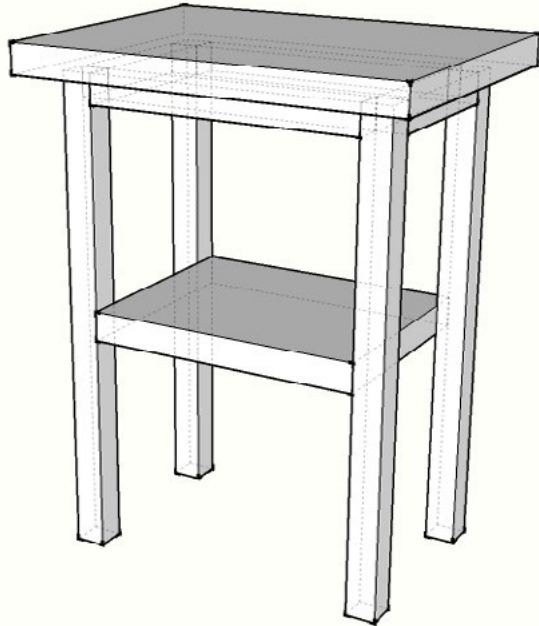
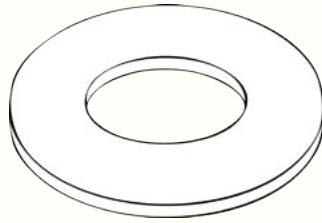


Herb's

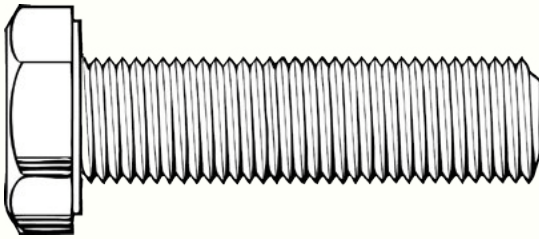
HOME FURNISHINGS CO.



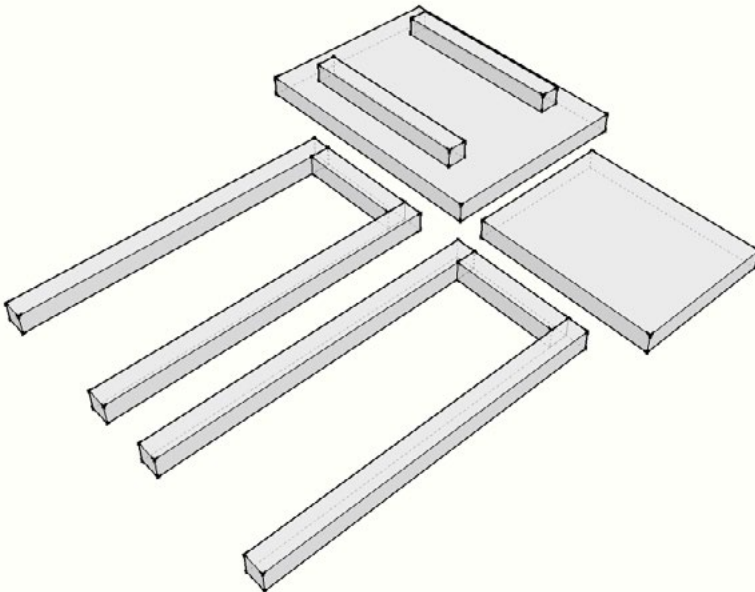
NIGHTSTAND

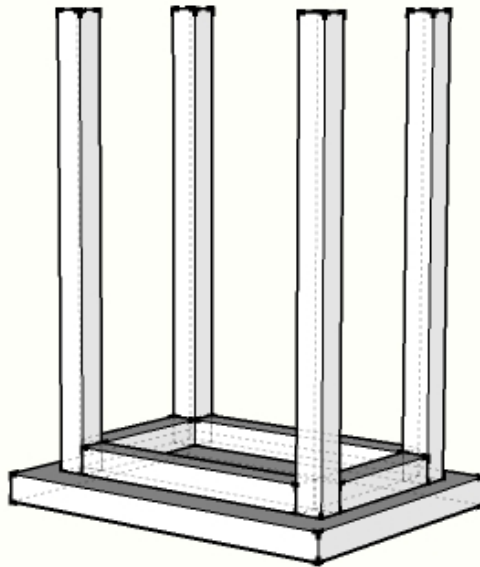


x8

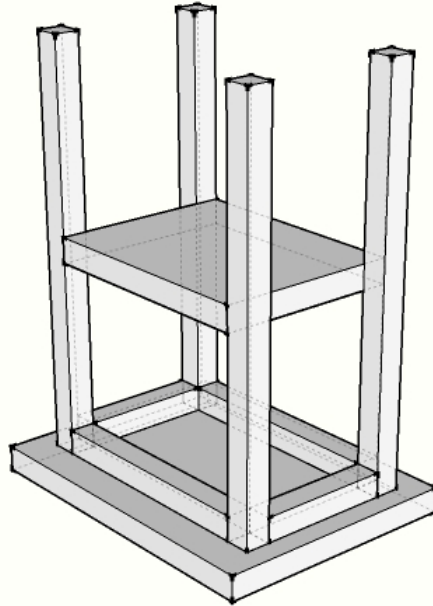


x8

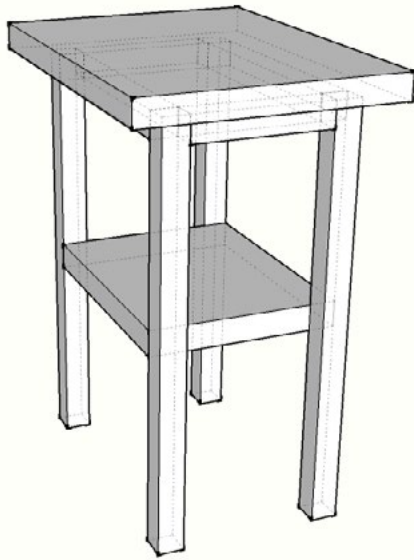




Place legs matching stickers on each top. Place large bolt through holes and into the insert nut with washer in between nut head and wood. Tighten but do not overtighten the bolts.



Place bottom shelf in between legs and insert large bolt in each of the four holes connecting each of the legs to the shelf with a washer in between the nut head and wood. Tighten but do not over tighten all bolts



Flip your nightstand over, it is ready for use